

● Part Number Guide

T-V-S-FF.FFFM-FS -OT -OP-TR-S

T(Type 型号): L=3.2×2.5×1.2mm Max ceramic osc

V(Input Voltage 输入电压):1.8=1.8V 2.5=2.5V 2.85=2.85V 3=3.3V 5=5.0V,etc

S(Symmetry 占空比): 5=45/55max 6=40/60 max

F(Frequency 标称频率)

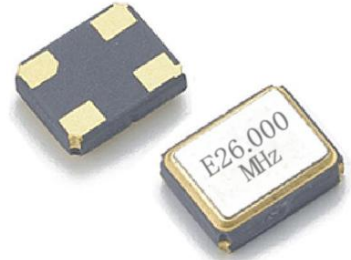
FS(Frequency Stability 频率稳定性): 50=±50ppm, etc

OT(Operating Temperature 工作温度):0070=0°C to +70°C 3080=-30°C to +80°C, etc

OP(Out put 输出):1=15PF HCMOS 2=10TTL 3=30PF 4=50PF 5=10TTL/15PF

TR(Tape and Reel 编带)

S(Special Requirement 特殊要求)

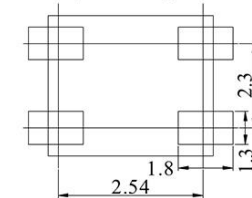
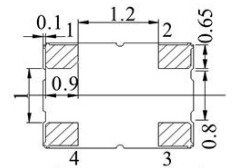
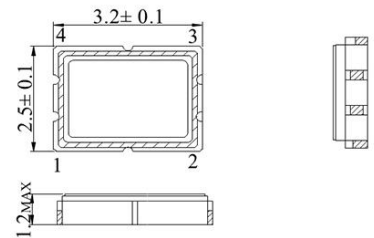


● Electrical Specifications 电气参数

型号	Holder Type	3.2×2.5mm SMD OSCILLATOR
频率范围	Frequency Range	1.544MHz to 50.000MHz
总频差	Frequency Stability	±25ppm to ±50ppm
输入电压	Supply Voltage	5.0V or 3.3V ±10%
工作温度范围	Operating Temperature Range	-10°C~+60°C to -40°C~+85°C
储存温度范围	Storage Temperature Range	-40°C~+85°C/-55°C~+125°C
占空比	Symmetry (Duty Cycle)	40/60 Standard
输出	Output	15pF HCMOS or 10 TTL
消耗电流	Current Consumption (15pf only)	1.544MHz-50.000MHz=25mA max
	(5.0V)	
	Current Consumption (15pf only)	1.544MHz-50.000MHz=20mA max
	(1.8V 2.5V 2.85V 3.3V)	
上升/下降时间	Rise/Fall Time	10nS max

● Mechanical Dimensions 外型尺寸

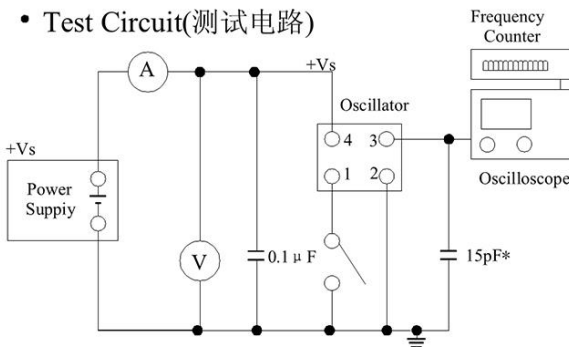
UNIT(单位): mm (毫米)



suggested solder pad layout

PIN	FUNCTION
1	N/C Tri-state
2	Ground
3	Output
4	Vdd

● Test Circuit(测试电路)



● Reflow Condition 回流焊条件

